

These instructions should be read in full before commencing the installation.
We recommend that the installation should only be carried out by a suitably qualified person.

The Redring WS7 is an open outlet, thermal storage water heater for use with Redring recommended fittings for one outlet only. It operates on the displacement principle i.e.; when cold water is admitted into the bottom of the tank, hot water flows out through the outlet. There are two models: 3kW, which ensures rapid reheating of the water, and a 1kW unit to suit special electrical requirements.

Fixing

The wall bracket should be securely fixed in position (see diagram 1). The heater is then hung on the wall bracket. Further security can be obtained by marking the position of the extra fixing holes (see diagram 1) and applying appropriate wall fixings to these positions.

When the unit is used above the sink with the cold inlet tap and spout supplied, it is recommended that these extra fixing positions be used. The bottom of the heater should be approximately 350mm above the top of the sink.

The outlet should be at least 13mm above the maximum possible water level for any appliance that is to be filled from the heater.

Water Connection

(See diagram 4 for suggested installation plan)

Oversink (Diagram 2a)

When using the tap and spout as supplied, the cold water connection is made directly to the 15mm compressions fitting at the rear of the cold inlet tap. Ensure that the water flow is in line with the flow direction arrow moulded on the cold inlet tap.

Undersink (Diagram 2b)

If the unit is to be mounted below sink level, it should be connected to the special open outlet Monoblock Mixer Tap recommended by Applied Energy Products Limited (see page 3). The economic performance of the heater will be enhanced by lagging the hot water pipe from the heater to the outlet.

Oversink and Undersink Installation

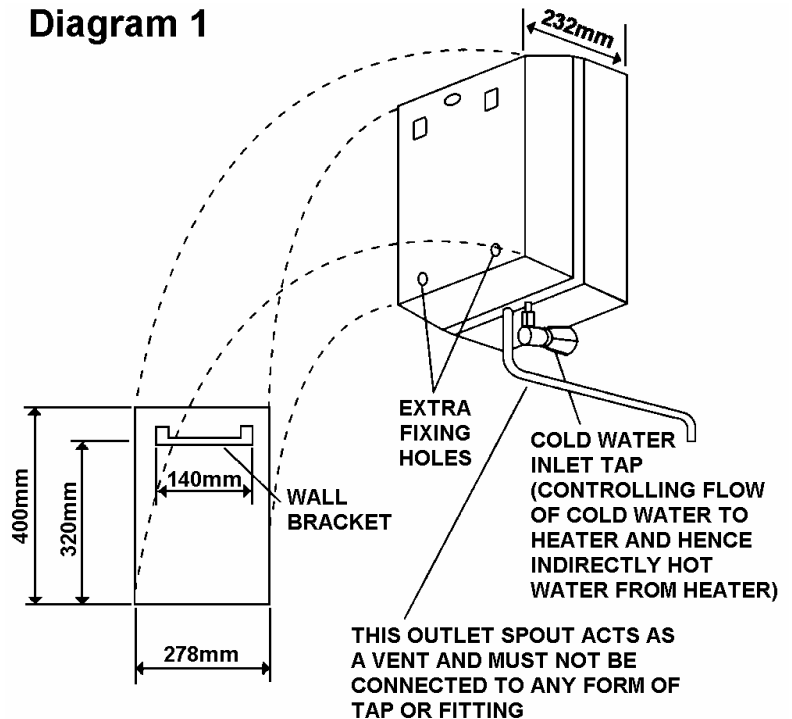
Before final assembly of the tap the appropriate restrictor insert must be selected and fitted into the end of the cold inlet pipe on the heater (see Table A). The correct insert will ensure that the flow rate of water through the heater is at an optimum to prevent undue mixing of the incoming cold water with the stored hot water, as well as avoiding any unnecessary pressure within the tank.

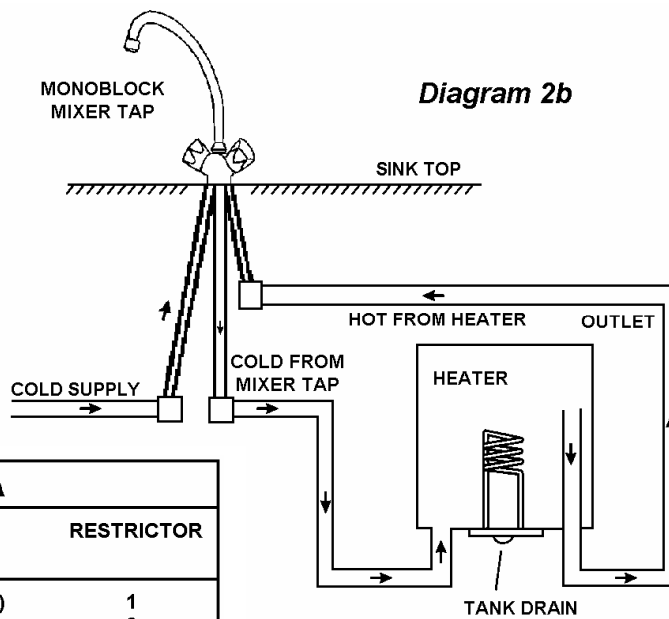
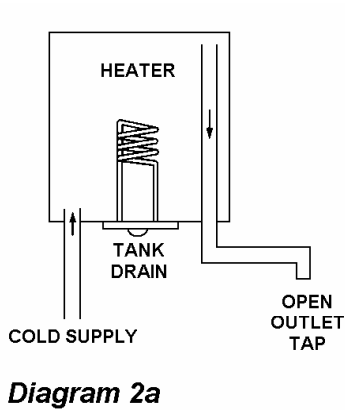
Electrical Connection

The installation must be in accordance with the current BS.7671 (IEE Wiring Regulations) and/or local regulations, and "Part P" of the Building Regulations.

1. The heater is suitable for 240/230V single phase A.C supply.
2. The live (brown) and neutral (blue) wires must be connected to the designated positions in the terminal block and the earth (green/yellow) to the earth \oplus position.
3. **WARNING: THIS APPLIANCE MUST BE EARTHED**
4. The mains cable should be prepared as shown (see diagram 3)
5. A means for disconnection in all poles must be incorporated in the fixed wiring in accordance with the wiring rules.
6. The cable should be heat resisting 3-Core flexible PVC of 0.75mm² for the 1kW model and 1.25mm² minimum for the 3kW model.
7. **NOTE – THE APPLIANCE MUST BE FILLED WITH WATER BEFORE POWER IS SWITCHED ON.**

Diagram 1





SUPPLY PRESSURE		RESTRICTOR
kPa	(psi / bar)	
690 - 345	(100 - 50 / 6.9 - 3.5)	1
345 - 207	(50 - 30 / 3.5 - 2.1)	2
207 - 117	(30 - 17 / 2.1 - 0.69)	3
117 - 69	(17 - 10 / 2.1 - 0.69)	4
69 or less	(10 or less / 0.69 or less)	NONE

Usage

If the heater is used regularly it is recommended that it is left on at all times.

The thick insulation ensures economic running costs.

Allow the heater to fill with water before switching on the electricity.

This will avoid the heating element becoming too hot, causing the one-shot safety thermal fuse to operate.

The four settings indicated by the thermostat are: -

- III This gives very hot water, which can be mixed with cold water to produce quantities of usable water greater than the actual capacity of the heater.
- II This setting will deliver, direct water suitable for washing up.
- I This setting will deliver, direct, water suitable for hand washing.
- This setting will maintain the water in the heater just above freezing point if the heater is to be left unattended whilst subject to freezing conditions. The electricity must be left on for this facility.

Water expands when heated, thus during the initial heating of cold water admitted to the heater, drips from the outlet spout may occur.

If it is required that the adjustments of the thermostat is not available to the users of the heater, then after first establishing that the temperature is as required, the knob may be removed and the blanking grommet (supplied free with heater) inserted in the hole.

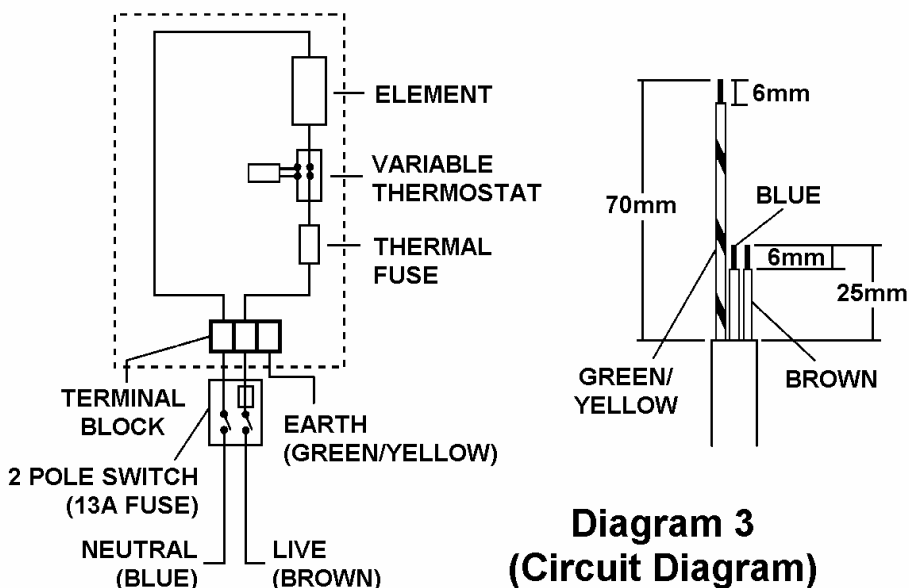
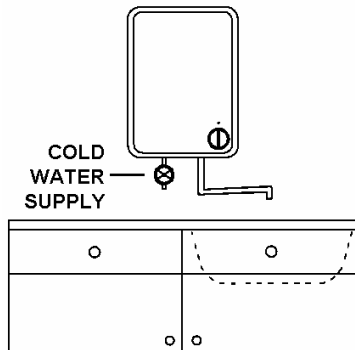


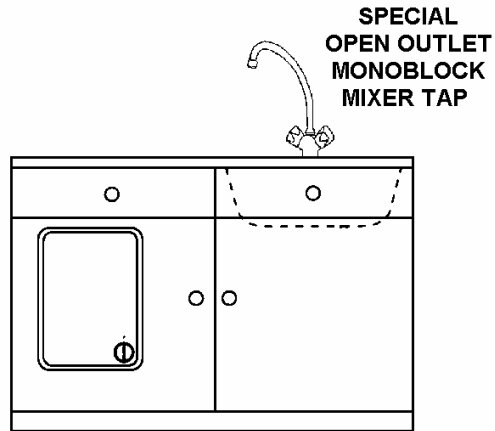
Diagram 3
(Circuit Diagram)

Suggested Installation Plan

Oversink



Undersink USING SPECIAL OPEN OUTLET MONOBLOCK MIXER TAP



(See Diagram 2b for layout using recommended "Monoblock Mixer Tap")

Diagram 4

Draining the Tank

If it is required to drain the tank, this can be effected by undoing the screw in the base plate of the heater (see "Tank Drain" diagram 2), and catching the water in an appropriate vessel.

The heater must be disconnected from the electrical supply before commencing this operation.

If the unit fails to heat water

1. Check that the mains fuses are not blown and that the mains supply is switched on.
2. Check that the cold water supply is on.
3. Check that the outlet has not been blocked in any way.

If the fault persists: -

Contact the dealer from whom you purchased the appliance or the installation engineer.

You can also call the Technical Advisory Helpline on **08709 000430**

Installation Engineer Note:

The most likely reason for no heated water is an open circuit thermal fuse. See label on front insulation for details. This can be caused at initial commissioning if the heating element is energized with no water in the tank.

Alternatively, it may be due to a back siphonage in the cold water supply caused by a break or disconnection.

If you feel that your installation may suffer from a water failure, we recommend the fitting of a non-return water check valve.

Redring After Sales Service

We offer a technical advisory service on the telephone to contractors and other customers with problems in the field.

RING 08709 000430

Remember to quote the exact type of unit, as written on the unit front and on this leaflet.

It may also be of use to have a note of the model and serial number as stated on the underside of the unit.

Recommended Accessories

Oversink Accessories

Swivel Arm (450mm) Catalogue No. 84-780404

Swivel Arm (600mm) Catalogue No. 84-780405

Monoblock Mixer Catalogue No. 84-780408

Spare parts/accessories can be supplied from Redring Sales Hotline 08709 000420

GUARANTEE

We, Applied Energy Products Limited, guarantee this product for the period of 36 months from the date of purchase

Within the guarantee period we will resolve, **free of charge**, any manufacturing defects in the product resulting from faulty workmanship or material on condition that:-

- a) The appliance has been correctly installed in accordance with our instructions and is being used on the supply circuit or voltage printed on the rating plate.
- b) The appliance has been used in accordance with these instructions and has not been tampered with or otherwise subject to misuse, neglect or accident.
- c) The appliance has not been taken apart, modified or repaired except by a person authorised by us.
- d) Evidence of the date of purchase in the form of an invoice or receipt will be required in order to qualify for an in-guarantee repair.
- e) For the service work to be undertaken free of charge, the work must be only undertaken by Applied Energy Products Limited, or our approved agents.
- f) Service under guarantee has no effect on the expiry date. The guarantee on any exchanged parts or product ends when the original guarantee period ends.

EXCLUSIONS

This guarantee **DOES NOT** cover damage or defects arising from poor or incorrect installation, improper use or lack of maintenance, including the build-up of limescale. It is the responsibility of the installer to check that the installation parameters meet the requirements of the product, and any relevant regulations.

If we are called out to a fault, which is subsequently identified as being an installation fault, we will make a charge. It is important that the routine checks are completed before calling us out, as many issues can be simply diagnosed and resolved.

We make no guarantees as to response times for repairs. We will endeavour to achieve the most timely response possible but while we indicate an average response time, this should not be taken as a guarantee.

The guarantee applies to a repair or replacement (at our discretion) of the product subject to the conditions above, and **DOES NOT** cover compensation for the loss of the product or consequential loss of any kind.

The guarantee does not apply to the repair or replacement of pressure relief devices, sprayheads, hoses, accessories, isolating switches, electrical cable, fuses and/or circuit breakers.

This guarantee does not affect your statutory rights.

Full details of terms and conditions are available on request from: -

APPLIED ENERGY PRODUCTS LIMITED, MORLEY WAY,

PETERBOROUGH PE2 9JJ

TEL +44 (0) 1733 456789

FAX: +44 (0) 1733 310606

Website: www.applied-energy.com

